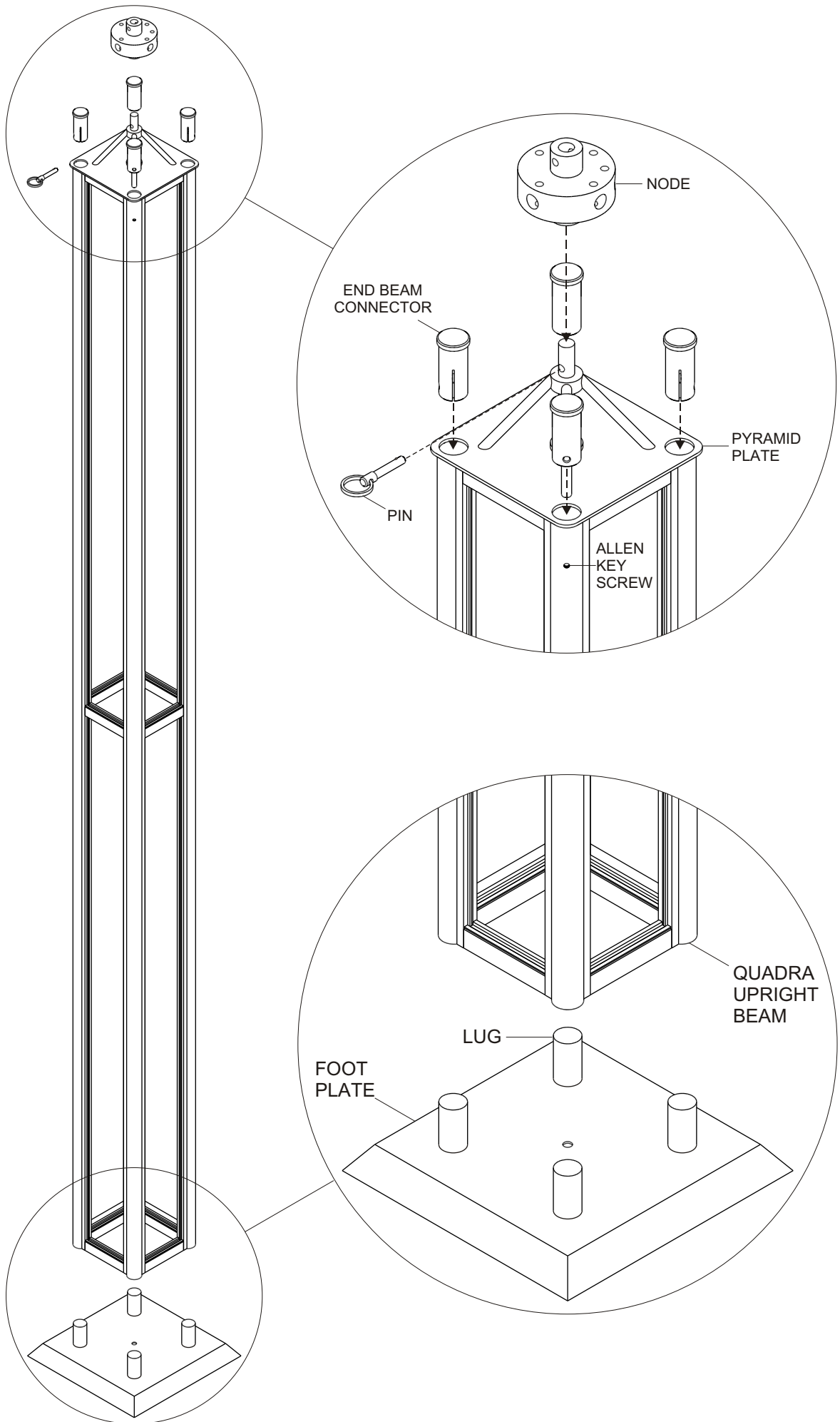
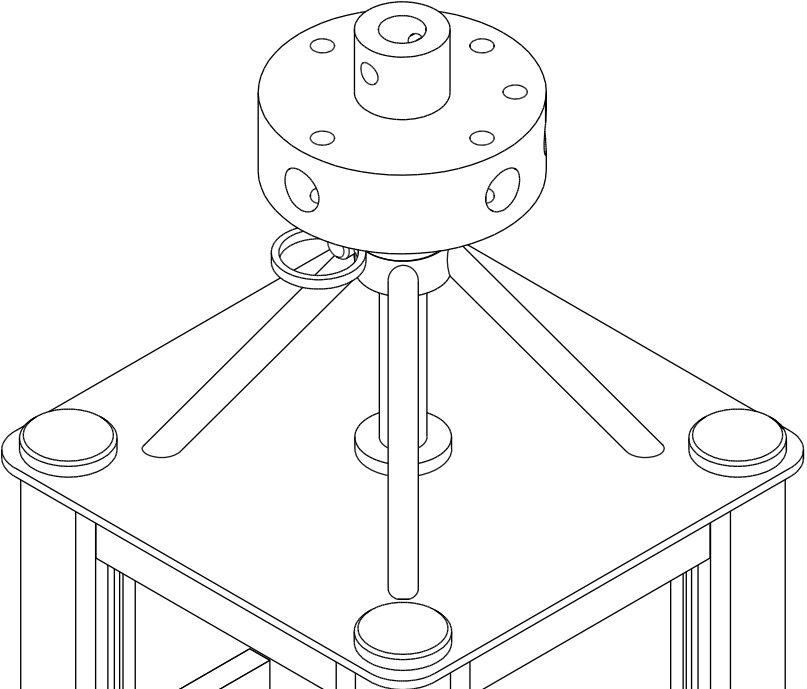
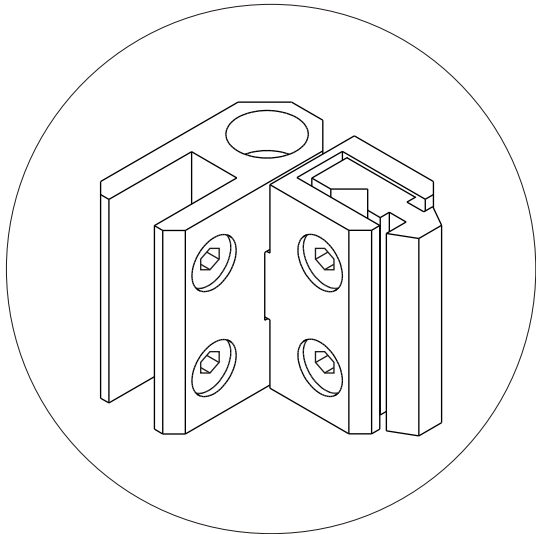


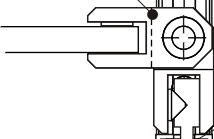
QUADRA



IRUS CLIP FITTING WITH PANEL



IRUS CLIP
ANGLES AT 90°
TO ATTACH
GRAPHIC PANEL



INSERT
CONNECTS
IRUS CLIP
TO BEAM

